



Taha Kimia TajhizCo.



Core Lab

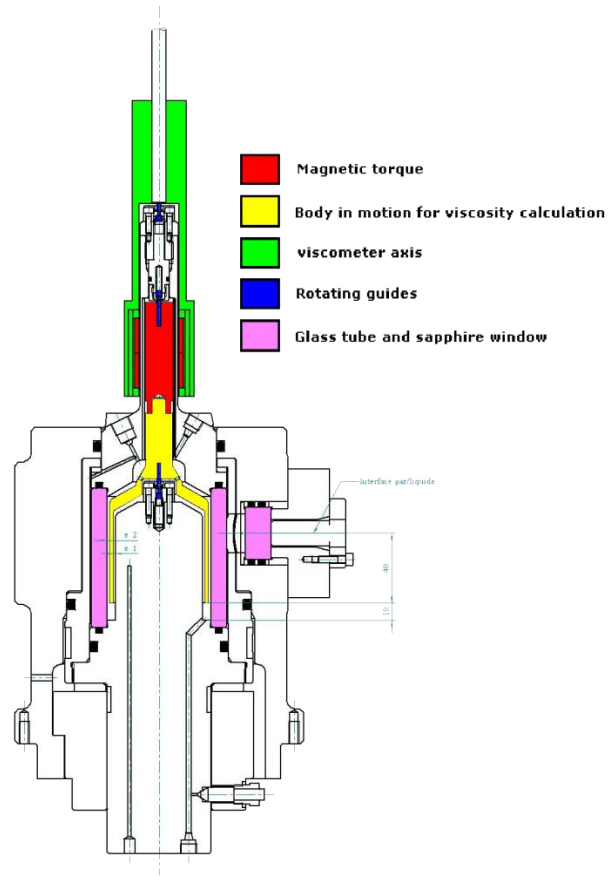
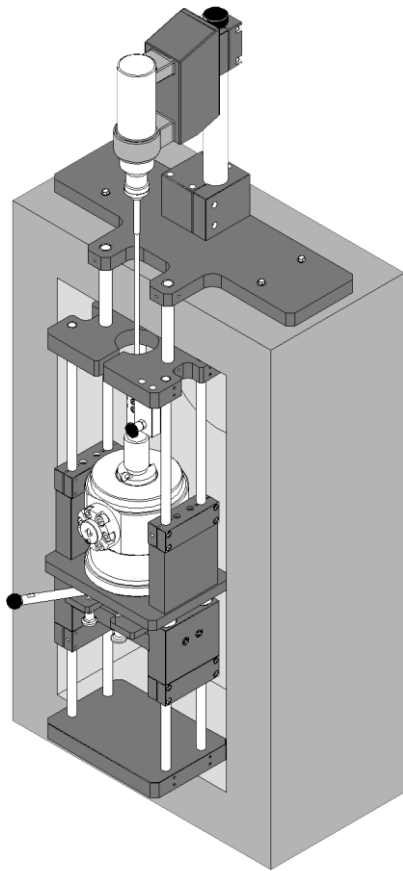


Rheology Cell – RC 30-400 Datasheet

Reservoir Fluid Analysis-PVT \
Special Fluid Analysis



Rheology Cell – RC 30-400



General Features

The rheology cell enables to determine the viscosity of a fluid by measuring the resisting torque on a mobile element in rotation, placed between 2 fixed parts which form 2 gas gaps. This equipment is dedicated to paraffin, brine and Newtonian or non-Newtonian products under pressure.

Specifications	
Viscosity Range	0.5 to 300 MPa/s
Working Pressure	400 bar
Temperature Range	-20 to 150°C

This equipment is composed of following elements:

- 1 Cell in Titanium and Hastelloy
- 1 Viscometer
- 1 Sapphire Window
- 1 Electrical Control Box (manual control)
- Software for automatic control and data acquisition
- Climatic Air Bath (optional)

