



Taha Kimia Tajhiz Co.



Core Lab

# Gas Adsorption Isotherm System

## GAI-100

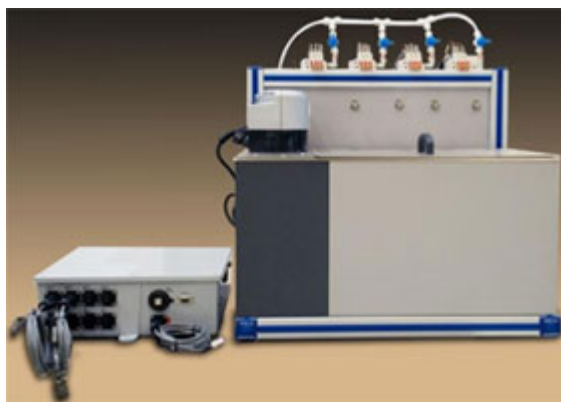
### Datasheet

Shale Oil/Gas Testing Equipment

#



## Gas Adsorption Isotherm System - GAI-100



Gas Adsorption Isotherm System is a high pressure, 10,000 psi, system designed for the evaluation of gas adsorption isotherms, or the gas capacity of a shale or coal sample.

The system comprises a digitally controlled oil bath for accurate temperature control up to 350°F (177°C) into which are placed three (3) self-contained, adsorption cells. A test shale or coal sample is crushed and then sieved through 40-120 US Mesh screens. Then 80-100 grams of the sieved sample is tested within one of the test cells. Each cell can be used to test pressures up to 10,000 psi and to test temperatures up to 350°F (177°C).

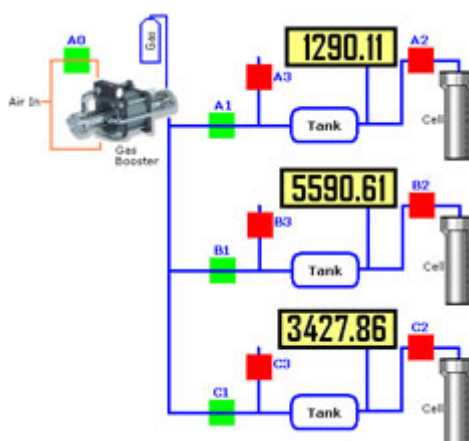
The measurement sequence is fully automated allowing three (3) experiments to be performed simultaneously and independently. The instrument can be used to test with various gases including methane and carbon dioxide and can be used to evaluate the adsorptive capacity of each individual gas or combinations thereof.





## Scope of Supply:

- GAI-100 complete with:
  - Oil Bath
  - Test Cells, 3 each
  - Gas Booster Pump
  - Floor Mounted Instrument Stand with Lexan splash protector
  - Tool Kit
  - Laptop Computer



## Specifications:

- Wetted Material: 316 Stainless Steel
- Working pressure to 10,000 psi
- Working Temperature to 350OF (177°C)
- Electrical: 110 VAC 60 Hz 1 Phase or 220/240 VAC 50 Hz 1 Phase
- Dimensions: 36" x 36" x 72" (W x D x H)
- Supplies required: Air 80 psig minimum 120 psig maximum, 1 each.
- Test Gas 125 psig minimum
- Oil for oil bath

## Recommended Spare Parts:

- Test Chamber
- Metal Seals for Test Chambers